

R5 Draw Latch

Concealed · Panel fastening · Galvanized finish · Mortise mount

Features

- High tensile load
- Consistent pull-up
- Concealed installation

Accessories

- Actuation tool: 29-0059-02

Notes

- Install assembly with $\varnothing 6$ rivets or M6 screws (not supplied)

Material

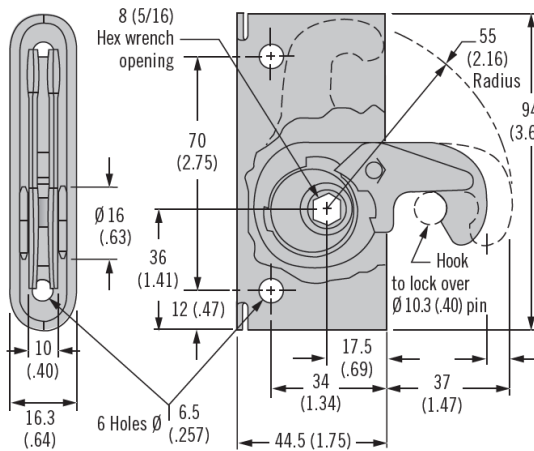
- Steel, zinc galvanized

Product Performance

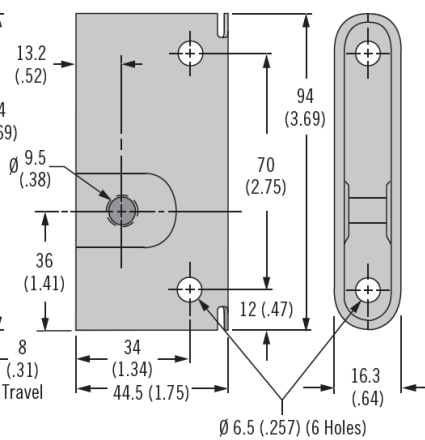
- Average ultimate tensile load: 11,100 N
- Average ultimate shear load: 68,180 N
- Operating force
 - To open: 4 N.m
 - To close: 4 N.m



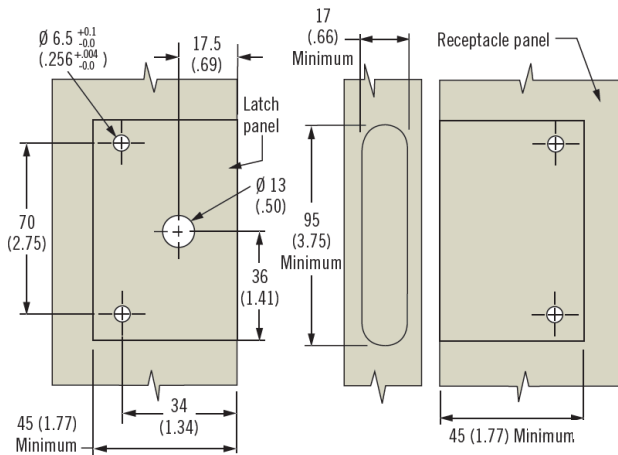
Latch



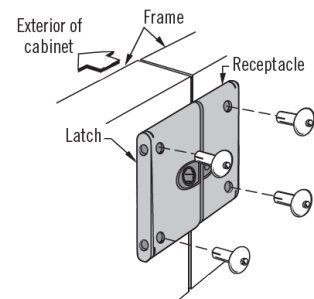
Receptacle



Recessed Pocket

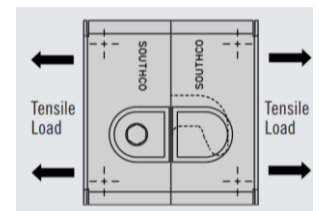
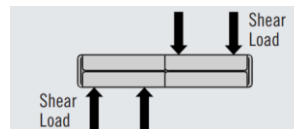
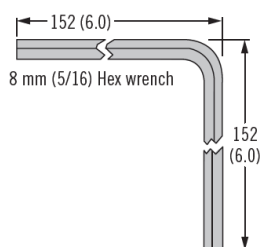


Side Mount



Accessories

Actuation Tool



Part Number	
Latch	Receptacle
R5-0074-17	R5-0079-17